

Accessories • Spare Part Kits • All Series

Spare Part Kit for Valve Series B1LSAD3

Valve Series	Order Code
B1LSAD3	40.1609
Incl. O-rings, gaskets, spring or muffler	



Spare Part Kit for Valve Series L01

Valve Function	Order Code
SA4 SS4	L01-K1
SS5 SS6	L01-K3
Incl. O-rings, gaskets, spring or muffler	



Spare Part Kit for Valve Series L1

Valve Function	Order Code
BA4 PA4	L1-K1
BB4 PP4	L1-K2
BB5/6/7 PP5/6/7	L1-K3
Incl. O-rings, gaskets, spring or muffler	



Spare Part Kit for Valve Series L2/S2/NA2 und NE2

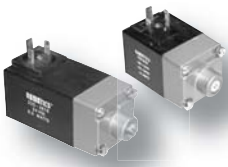
Valve Function	Order Code
BA4 PA4 JA4	L2-K1
BB4 PP4 JJ4	L2-K2
BB5/6/7 PP5/6/7 JJ5/6/7	L2-K3
Incl. O-rings, gaskets, spring or muffler	



Spare Part Kit for Valve Series L8

Valve Function	Order Code
EL4	40.1768
DL4	40.1882
DL5/6/7	40.1446
EM4	40.1677
DM4	40.1877
DM5/6/7	40.1468
Incl. O-rings, gaskets, spring or muffler	

Subject to change without notice. Not liable for printing errors



Line-Mounted Valves L Series

Accessories • Solenoids

Solenoids with Plug-in Device for Female Connector to DIN EN 175301-803
(old DIN 43650) Form A

Valve Series B1LSAD3

Voltage	Manual Override	Option	Weight approx. [kg]	Order Code
24 VDC	Without manual override	0	0.500	226-867
24 VDC	Flush non-locking manual override	H	0.500	226-781
24 VDC	Flush locking manual override	W	0.500	226-862
24 VDC	Protruding non-locking manual override	Y	0.500	226-947
24 VDC	Protruding locking manual override	Z	0.500	226-950
24 V / 50-60 Hz	Flush non-locking manual override	H	0.300	237-536
24 V / 50-60 Hz	Flush locking manual override	W	0.300	237-760
110 V / 50-60 Hz	Without manual override	0	0.300	237-690
110 V / 50-60 Hz	Flush non-locking manual override	H	0.300	237-534
110 V / 50-60 Hz	Flush locking manual override	W	0.300	237-758
110 V / 50-60 Hz	Protruding non-locking manual override	Y	0.300	237-742
110 V / 50-60 Hz	Protruding locking manual override	Z	0.300	237-744
230 V / 50-60 Hz	Flush non-locking manual override	H	0.300	237-535
230 V / 50-60 Hz	Flush locking manual override	W	0.300	237-759
230 V / 50-60 Hz	Protruding non-locking manual override	Y	0.300	237-743
230 V / 50-60 Hz	Protruding locking manual override	Z	0.300	237-745

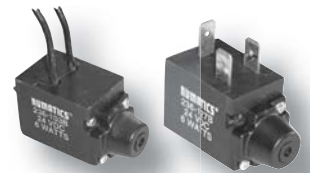
Incl. solenoid cover, screws and gaskets



Photo shows solenoid for 24 VDC without manual override



Photo shows solenoid for 110V/50-60 Hz with flush non-locking manual override



Accessories • Solenoids

Solenoids with Plug-in Device for Female Connector to Industrial Form, Type 22 mm Non-locking Flush Manual Override

Valve Series L01

Voltage	Solenoid on End	Valve Function	Weight approx. [kg]	Order Code
24 VDC	12/14	5-port., 2-pos.	0.200	236-127
24 VDC	12	5-port., 3-pos.	0.200	236-167
24 VDC	14	5-port., 3-pos.	0.200	236-133
12 VDC	12/14	5-port., 2-pos.	0.200	236-126
12 VDC	12	5-port., 3-pos.	0.200	236-166
12 VDC	14	5-port., 3-pos.	0.200	236-132
24 V / 50-60 Hz	12/14	5-port., 2-pos.	0.200	237-827
24 V / 50-60 Hz	12	5-port., 3-pos.	0.200	237-845
24 V / 50-60 Hz	14	5-port., 3-pos.	0.200	237-830
110 V / 50-60 Hz	12/14	5-port., 2-pos.	0.200	237-825
110 V / 50-60 Hz	12	5-port., 3-pos.	0.200	237-843
110 V / 50-60 Hz	14	5-port., 3-pos.	0.200	237-1008
230 V / 50-60 Hz	12/14	5-port., 2-pos.	0.200	237-962
230 V / 50-60 Hz	12	5-port., 3-pos.	0.200	237-844
230 V / 50-60 Hz	14	5-port., 3-pos.	0.200	237-829

Incl. solenoid cover, screws and gaskets

More manual overrides on request

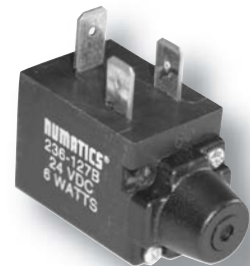


Photo shows solenoid for 5-ported, 2-position valve



Photo shows solenoid for 5-ported, 3-position valve

Solenoids with Cables Flush Non-locking Manual Override

Valve Series L01

Voltage	Solenoid on End	Valve Function	Weight approx. [kg]	Order Code
24 VDC	12/14	5-port., 2-pos.	0.100	236-103
24 VDC	12	5-port., 3-pos.	0.100	236-155
24 VDC	14	5-port., 3-pos.	0.100	236-109
12 VDC	12/14	5-port., 2-pos.	0.100	236-102
12 VDC	12	5-port., 3-pos.	0.100	236-154
12 VDC	14	5-port., 3-pos.	0.100	236-108
24 V / 50-60 Hz	12/14	5-port., 2-pos.	0.100	237-839
24 V / 50-60 Hz	12	5-port., 3-pos.	0.100	237-851
24 V / 50-60 Hz	14	5-port., 3-pos.	0.100	237-842
110 V / 50-60 Hz	12/14	5-port., 2-pos.	0.100	237-837
110 V / 50-60 Hz	12	5-port., 3-pos.	0.100	237-849
110 V / 50-60 Hz	14	5-port., 3-pos.	0.100	237-840
230 V / 50-60 Hz	12/14	5-port., 2-pos.	0.100	237-838
230 V / 50-60 Hz	12	5-port., 3-pos.	0.100	237-850
230 V / 50-60 Hz	14	5-port., 3-pos.	0.100	237-841

Incl. solenoid cover, screws and gaskets

More manual overrides on request



Photo shows solenoid for 5-ported, 2-position valve



Photo shows solenoid for 5-ported, 2-position valve

Subject to change without notice. Not liable for printing errors

Valves



Line-Mounted Valves L Series

Accessories • Solenoids

Solenoids with Plug-in Device for Female Connector to Industrial Form, Type 22 mm
Valves without Exchangeable Pilot Coil



Valve Series L1 / L2

Voltage	Option	Weight	Order
		approx. [kg]	Code
24 VDC, 3.35 Watt	B	0.100	226-749
24 V / 50-60 Hz; 10 / 7 VA	0	0.100	237-568
110 V / 50-60 Hz; 10 / 7 VA	0	0.100	237-569
230 V / 50-60 Hz; 10 / 7 VA	0	0.100	237-570

Incl. screws and gaskets

Solenoids with Plug-in Device for Female Connector to DIN EN 175301-803 (old DIN 43650) Form B,
Type 22 mm
Valves without Exchangeable Pilot Coil



Valve Series L1 / L2

Voltage	Option	Weight	Order
		approx. [kg]	Code
24 VDC, 3.35 Watt	A	0.100	226-891
24 V / 50-60 Hz; 10 / 7 VA	A	0.100	237-696
230 V / 50-60 Hz; 10 / 7 VA	A	0.100	237-698

Incl. screws and gaskets

Note: Magnets with 110 V/50-60 cycles per second are only available for exchangeable pilot coil assembly.



Line-Mounted Valves L Series

Accessories • Exchangeable Pilot Coils

Exchangeable Pilot Coils Type 22 mm or Type 30 mm
for Series L1 / L2 / S2 / NA2 / NE2 and L8

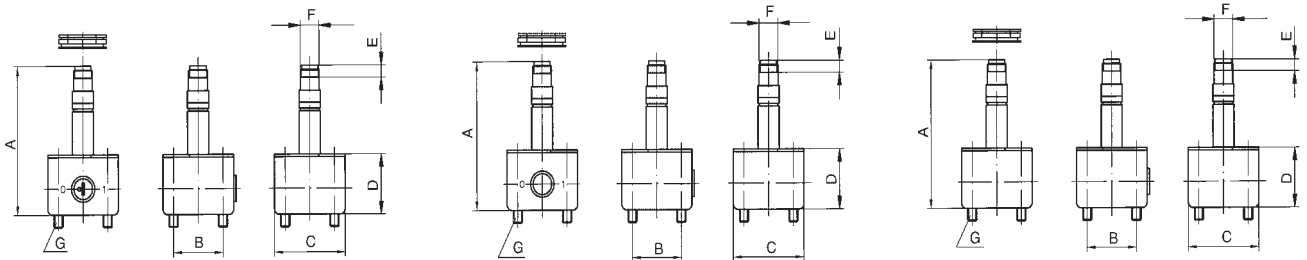


picture shows exchangeable pilot coils type 22 mm

Exchangeable pilot coil
mit manual override push/locking
(standard)

Exchangeable pilot coil
with non-locking manual override

Exchangeable pilot coil
without manual override



Dimensions [mm]

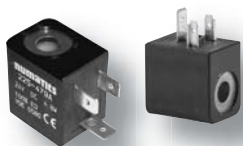
Version	A	B	C	D	E	F	G	Weight		Order Code		
								appr. [kg]		10 bar	16 bar	
Exchangeable pilot coils type 22 mm												
With manual override push/locking	51.5	14.0	22.0	17.0	4.5	M8x0.75	M3	0.030		219-468	219-494	
With non-locking manual override	51.5	14.0	22.0	17.0	4.5	M8x0.75	M3	0.030		219-479	219-495	
Without manual override	51.5	14.0	22.0	17.0	4.5	M8x0.75	M3	0.030		219-467	219-493	
Exchangeable pilot coils type 30 mm												
With manual override push/locking	59.0	—	30.0	32.0	4.5	M8x0.75	M4	0.065		219-218	219-221	
With non-locking manual override	59.0	—	30.0	32.0	4.5	M8x0.75	M4	0.065		219-217	219-220	
Without manual override	59.0	—	30.0	32.0	4.5	M8x0.75	M4	0.065		219-216	219-219	
With non-locking manual override 3-port., 2-pos. function (NO)	59.0	—	30.0	32.0	4.5	M8x0.75	M4	0.065		—	219-489	
Exchangeable pilot coils type 22 mm STAINLEES STEEL VERSION												
With non-locking manual override 3-port., 2-pos. function (NC)	51.5	14.0	22.0	17.0	4.5	M8x0.75	M3	0.030		219-550	—	

Exhaust Protection Screw for Exchangeable Pilot Coils

Dimensions [mm]

Description	Weight approx. [gr]	Order Code
Exhaust protection screw	1.850	125-1027



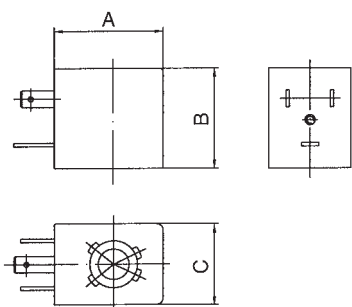


Line-Mounted Valves L Series

Accessories • Solenoids for Exchangeable Pilot Coils

Solenoids to Industrial Form, Type 22 mm

for Series L1 / L2 / S2 / NA2 / NE2, Valves with Exchangeable Pilot Coil

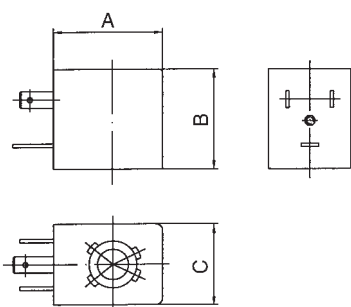


Dimensions [mm]

Voltage	Option	A	B	C	Weight	Order-Code
					approx. [kg]	
24 VDC	B	28.8	29.5	22.0	0.054	225-479
24 V / 50-60 Hz; 8.5 / 6.9 VA	0	28.8	29.5	22.0	0.054	228-794
110 V / 50-60 Hz; 8.5 / 6.9 VA	0	28.8	29.5	22.0	0.054	228-791
230 V / 50-60 Hz; 8.5 / 6.9 VA	0	28.8	29.5	22.0	0.054	228-790

Solenoids to Industrial Form, Type 22 mm with UL- and CSA-approval

for Series L1 / L2 / S2 / NA2 / NE2, Valves with Exchangeable Pilot Coil

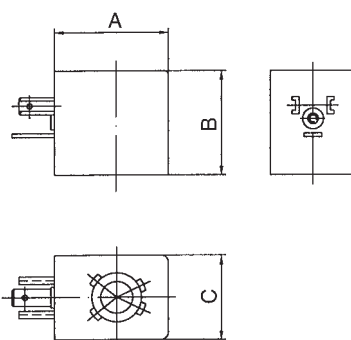


Dimensions [mm]

Voltage	Option	A	B	C	Weight	Order-Code
					approx. [kg]	
24 VDC; 48 V / 50-60 Hz	C	28.8	29.5	22.0	0.054	225-506
60 VDC; 110 V / 50-60 Hz	C	28.8	29.5	22.0	0.054	228-793

Solenoid to DIN EN 175301-803 (old DIN 43650) Form B, Type 22 mm

for Series L1 / L2 / S2 / NA2 / NE2, Valves with Exchangeable Pilot Coil



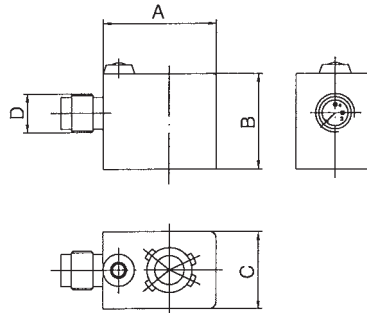
Dimensions [mm]

Voltage	Option	A	B	C	Weight	Order-Code
					approx. [kg]	
24 VDC	A	28.8	29.5	22.0	0.054	225-478
24 V / 50-60 Hz	A	28.8	29.5	22.0	0.054	228-872
110 V / 50-60 Hz	A	28.8	29.5	22.0	0.054	228-874
230 V / 50-60 Hz	A	28.8	29.5	22.0	0.054	228-789



Accessories • Solenoids for Exchangeable Pilot Coils

Solenoid to ISO 20401 with M12 Connector and LED or DESINA Standard Connector M12 and LED, Type 22 mm, for Series L1 / L2 / S2 / NA2 / NE2, Valves with Exchangeable Pilot Coil



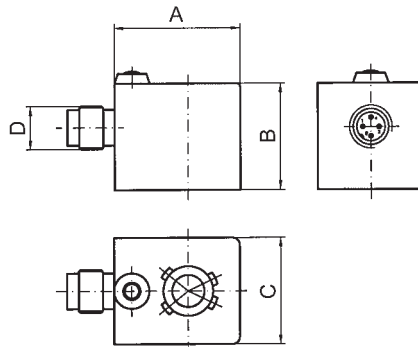
Drawing shows M12 connector with LED (same dimensions)



Dimensions [mm]

Description	Voltage	Option	A	B	C	D	Weight		Order-Code
							approx. [kg]		
M12 connector with LED	24 VDC	T	32.3	29.5	22.0	M12x1	0.065		225-477
DESINA standard with LED and connector M12	24VDC	7	32.3	29.5	22.0	M12x1	0.065		225-482

Solenoid to ISO 20401 with M12 Connector and LED or DESINA Standard Connector M12 and LED, Type 30 mm, for L8 Series



Drawing shows M12 connector with LED, 2 pins (same dimensions)

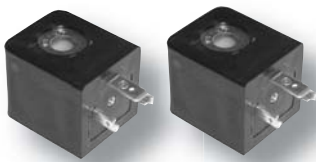


Dimensions [mm]

Description	Voltage	Option	Version	A	B	C	D	Weight		Order-Code
								approx. [kg]		
M12 connector with LED, 2 pins	24 VDC. 2.7 W	T	10 bar	38.4	29.5	30.0	M12x1	0.110		225-485
M12 connector mit LED, 2 pins	24 VDC. 6.8 W	T	16 bar*	38.4	29.5	30.0	M12x1	0.110		225-486
DESINA standard connector M12, 4 pins	24 VDC. 2.7 W	7	10 bar	38.4	29.5	30.0	M12x1	0.110		225-483
DESINA standard connector M12, 4 pins	24 VDC. 6.8 W	7	16 bar*	38.4	29.5	30.0	M12x1	0.110		225-484

* only available with 16 bar 3-port., 2-pos. function NO pilot system

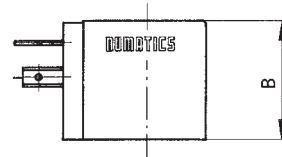
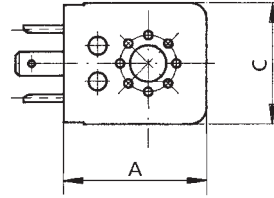
Subject to change without notice. Not liable for printing errors



Line-Mounted Valves L Series

Accessories • Solenoids for Exchangeable Pilot Coils

Solenoid to DIN EN 175301-803 (old DIN 43650) Form A, Type 30 mm
for Series L1 / L2 / S2 / NA2 / NE2 Valves with Exchangeable Pilot Coil and L8 Series

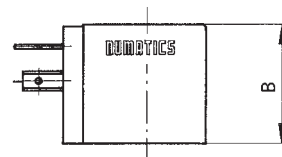
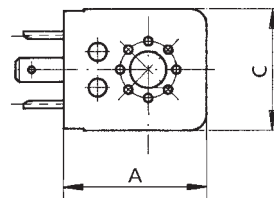


Dimensions [mm]

Voltage	Option		Version	A	B	C	Weight	Order
	L1 / L2 / S2 NA2 / NE2	L8					appr. [kg]	Code
24 VDC, 2.7 Watt	4	S	10 bar	35.5	30.0	30.0	0.100	225-354
24 V / 50-60 Hz, 5.2 / 3.9 VA	2	S	10 bar	35.5	30.0	30.0	0.100	228-772
110 V / 50-60 Hz, 4.8 / 3.6 VA and 42 / 48 / 60 VDC, 2.5 / 3.4 / 5.3 W	2	S	10 bar	35.5	30.0	30.0	0.100	228-773
230 V / 50-60 Hz, 4.9 / 3.7 VA and 110 VDC, 3.9 W	2	S	10 bar	35.5	30.0	30.0	0.100	228-774
24 VDC, 6.8 Watt and 42 / 48 V / 50-60 Hz 9.9 / 7.1 W	4	S	16 bar*	35.5	30.0	30.0	0.100	225-355
24 V / 50-60 Hz, 10.8 / 7.6 VA and 12 VDC, 7.8 W	2	S	16 bar*	35.5	30.0	30.0	0.100	228-775
110 V / 50-60 Hz, 10.5 / 7.6 VA and 48 / 60 VDC, 5.3 / 8.3 W	2	S	16 bar*	35.5	30.0	30.0	0.100	228-776
230 V / 50-60 Hz, 10.5 / 7.6 VA and 110 VDC, 6.3 W	2	S	16 bar*	35.5	30.0	30.0	0.100	228-777

* with 16 bar exchangeable pilot coil only

Solenoid to DIN EN 175301-803 (old DIN 43650) Form A, Type 30 mm with UL- and CSA-Approval
for L8 Series



Dimensions [mm]

Voltage	Option	Version	A	B	C	Weight	Order
						appr. [kg]	Code
24 VDC, 2.7 Watt	C	10 bar	35.5	30.0	30.0	0.100	225-480
110 V / 50-60 Hz, 4.9 / 3.6 Watt	C	10 bar	35.5	30.0	30.0	0.010	228-792

Subject to change without notice. Not liable for printing errors



Accessories • Female Connectors

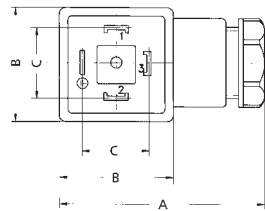
Female Connector to DIN EN 175301-803 (old DIN 43650) Form A



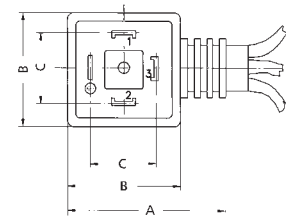
Female connector with PG 9 screw fitting cable



Female connector with 2-m-cable



with PG 9 screw fitting cable
for cable with \varnothing 6 to \varnothing 8 mm



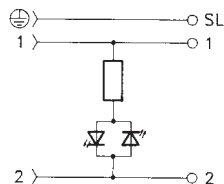
with 2-m-cable

Valves

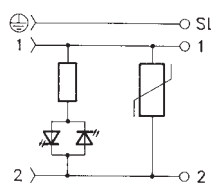
Technical Data and Dimensions [mm]

Nominal Voltage	Wiring Type	Wiring Diag.	Colour	Peak cut-off Voltage	A	B	C	Weight approx. [kg]	Order Code
With PG 9 screw fitting cable									
Up to 250 V	—	—	gray	unlimited	49.0	28.0	18.0	0.020	230-592
Up to 250 V	—	—	black	unlimited	49.0	28.0	18.0	0.020	230-593
10-50 V	LED red	"a"	transparent	unlimited	49.0	28.0	18.0	0.020	230-582
10-30 V	LED red + Varistor	"b"	transparent	65 V	49.0	28.0	18.0	0.020	230-567
70-250 V	LED red	"a"	transparent	unlimited	49.0	28.0	18.0	0.020	230-584
70-250 V	LED red + Varistor	"b"	transparent	440 V	49.0	28.0	18.0	0.020	230-585
10-30 V	LED green + Varistor	"b"	transparent	65 V	49.0	28.0	18.0	0.020	230-587
10-50 V	LED green	"a"	transparent	unlimited	49.0	28.0	18.0	0.020	230-586
70-250 V	LED green	"a"	transparent	unlimited	49.0	28.0	18.0	0.020	230-588
70-250 V	LED green + Varistor	"b"	transparent	440 V	49.0	28.0	18.0	0.020	230-589
With 2-m-cable									
Up to 250 V	—	—	black	unlimited	44.0	27.5	18.0	0.020	230-412
24 V	LED yellow + Varistor	"b"	black	65 V	44.0	27.5	18.0	0.020	230-413
110 V	LED yellow + Varistor	"c"	black	260 V	44.0	27.5	18.0	0.020	230-414
220 V	LED yellow + Varistor	"c"	black	470 V	44.0	27.5	18.0	0.020	230-415

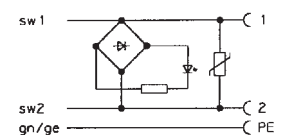
Circuit diagram "a"



Circuit diagram "b"



Circuit diagram "c"



Subject to change without notice. Not liable for printing errors

Line-Mounted Valves L Series

Accessories • Female Connectors

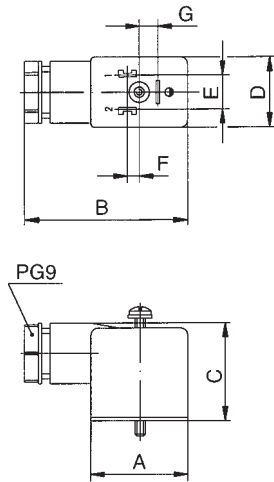
Female Connector to DIN EN 175301-803 (old DIN 43650) Form B



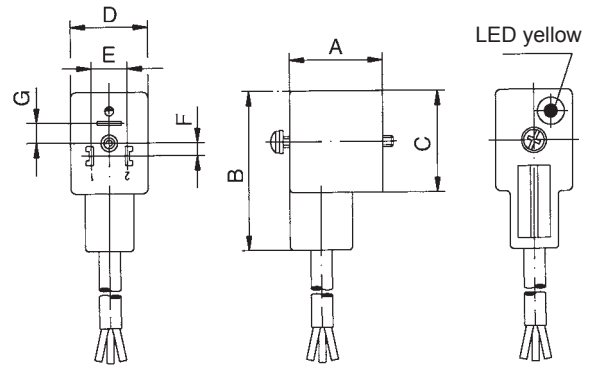
Female connector with PG 9 screw fitting cable



Female connector with 2-m-cable



with PG 9 screw fitting cable
for cable with Ø 6 bis Ø 8 mm

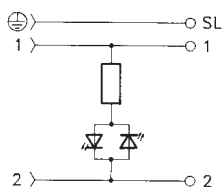


with 2-m-cable

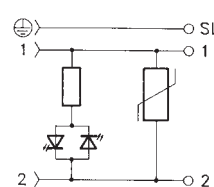
Technical Data and Dimensions [mm]

Nominal Voltage	Wiring Type	Diag.	Colour	Peak cut-off voltage	A	B	C	D	E	F	G	Weight app. [kg]	Order Code
With PG 9 screw fitting cable													
Up to 250 V	—	—	gray	unlimited	28.0	49.0	30.0	21.0	10.0	3.5	5.5	0.020	230-467
Up to 250 V	—	—	black	unlimited	28.0	49.0	30.0	21.0	10.0	3.5	5.5	0.020	230-468
10-50 V	LED yellow	"a"	transparent	unlimited	28.0	49.0	30.0	21.0	10.0	3.5	5.5	0.020	230-469
10-30 V	LED yellow + Varistor	"b"	transparent	65 V	28.0	49.0	30.0	21.0	10.0	3.5	5.5	0.020	230-470
70-250 V	LED yellow	"a"	transparent	unlimited	28.0	49.0	30.0	21.0	10.0	3.5	5.5	0.020	230-471
70-250 V	LED yellow + Varistor	"b"	transparent	440 V	28.0	49.0	30.0	21.0	10.0	3.5	5.5	0.020	230-472
With 2-m-cable													
Up to 250 V	—	—	black	unlimited	28.0	49.0	30.0	21.0	10.0	3.5	5.5	0.200	230-473
24 V	LED yellow + Varistor	"b"	black	65 V	28.0	49.0	30.0	21.0	10.0	3.5	5.5	0.200	230-563
110 V	LED yellow + Varistor	"b"	black	260 V	28.0	49.0	30.0	21.0	10.0	3.5	5.5	0.200	230-564
220 V	LED yellow + Varistor	"b"	black	470 V	28.0	49.0	30.0	21.0	10.0	3.5	5.5	0.200	230-565

Circuit diagram "a"



Circuit diagram "b"



Subject to change without notice. Not liable for printing errors



Accessories • Female Connectors

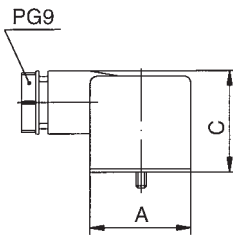
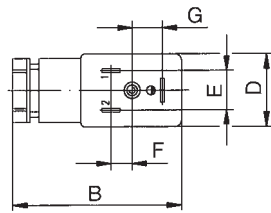
Female Connector to Industrial Form



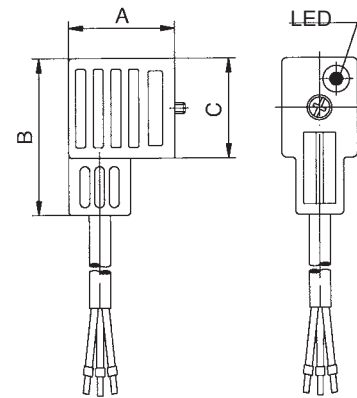
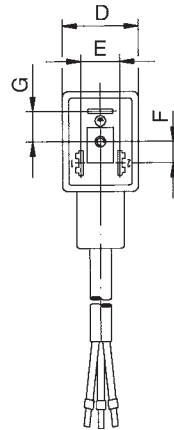
Female connector with PG 9 screw fitting cable



Female connector with 2-m-cable



with PG 9 screw fitting cable for cable with Ø 6 to Ø 8 mm



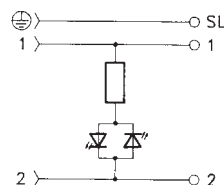
with 2-m-cable

Technical Data and Dimensions [mm]

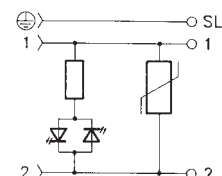
Nominal Voltage	Wiring Type	Diag.	Colour	Peak cut-off Voltage	A	B	C	D	E	F	G	Weight appr. [kg]	Order Code
With PG 9 screw fitting cable													
Up to 250 V	—	—	gray	unlimited	28.0	49.0	30.0	21.0	11.0	6.0	8.5	0.020	230-363
Up to 250 V	—	—	black	unlimited	28.0	49.0	30.0	21.0	11.0	6.0	8.5	0.020	230-364
10-50 V	LED red	"a"	transparent	unlimited	28.0	49.0	30.0	21.0	11.0	6.0	8.5	0.020	230-391
10-30 V	LED red + Varistor	"b"	transparent	65 V	28.0	49.0	30.0	21.0	11.0	6.0	8.5	0.020	230-392
70-250 V	LED red	"a"	transparent	unlimited	28.0	49.0	30.0	21.0	11.0	6.0	8.5	0.020	230-393
70-250 V	LED red + Varistor	"b"	transparent	440 V	28.0	49.0	30.0	21.0	11.0	6.0	8.5	0.020	230-394
10-30 V	LED green + Varistor	"b"	transparent	65 V	28.0	49.0	30.0	21.0	11.0	6.0	8.5	0.020	230-400
10-50 V	LED green	"a"	transparent	unlimited	28.0	49.0	30.0	21.0	11.0	6.0	8.5	0.020	230-401
70-250 V	LED green	"a"	transparent	unlimited	28.0	49.0	30.0	21.0	11.0	6.0	8.5	0.020	230-402
70-250 V	LED green + Varistor	"b"	transparent	440 V	28.0	49.0	30.0	21.0	11.0	6.0	8.5	0.020	230-403
With 2-m-cable													
Up to 250 V	—	—	black	unlimited	30.0	44.0	28.0	21.5	11.0	6.0	8.5	0.200	230-408
24 V	LED yellow + Varistor	"b"	black	65 V	30.0	44.0	28.0	21.5	11.0	6.0	8.5	0.200	230-409-xxm
110 V	LED yellow + Varistor	"b"	black	260 V	30.0	44.0	28.0	21.5	11.0	6.0	8.5	0.200	230-410
220 V	LED yellow + Varistor	"b"	black	470 V	30.0	44.0	28.0	21.5	11.0	6.0	8.5	0.200	230-411

xxm = add the required cable length in m (e. g. 230-409-05m) standards are: 2, 5 and 10 m

Circuit diagram "a"



Circuit diagram "b"



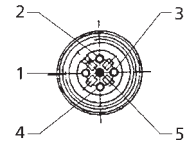
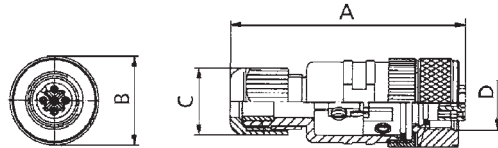
Subject to change without notice. Not liable for printing errors



Line-Mounted Valves L Series

Accessories • Female Connectors

M12 Straight Female Connector

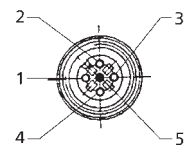
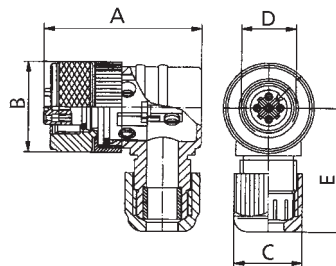


view on mating side

Dimensions [mm]

Description	A	B	C	D	Weight approx. [kg]	Order Code
M12 straight 5 pin female connector, without cable	52.5	20.0	SW19	M12x1	0.033	230-957

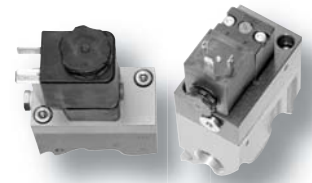
M12 Elbow Female Connector



view on mating side

Dimensions [mm]

Description	A	B	C	D	E	Weight approx. [kg]	Order Code
M12 elbow 5 pin female connector, without cable	35.0	20.0	SW19	M12x1	27.5	0.025	230-956



Conversion of Pilot Air Supply

Pilot Plugging Arrangements

Series L1 and L2

When converting from internal to external pilot supply, please proceed as follows:

- 1.) Remove plug in solenoid mounting plate.
- 2.) Loosen the two M3 bolts (L1 series) or M4 bolts (L2 series), unmount solenoid mounting plate and insert gasket as shown in fig. b).
- 3.) Re-mount and fasten solenoid mounting plate. (Torque approx. 1.5 Nm (L1 series) or 2.3 Nm (L2 Series)). Make sure that gaskets are inserted correctly.

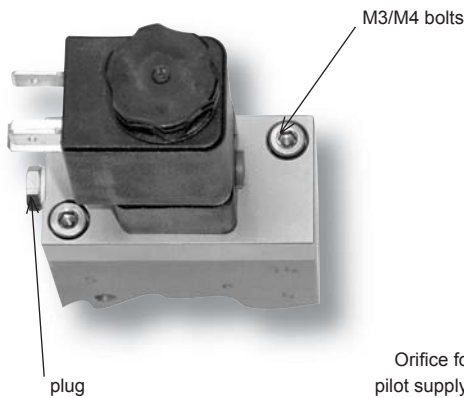


fig. a) Position of gasket in the solenoid mounting part with internal pilot supply.

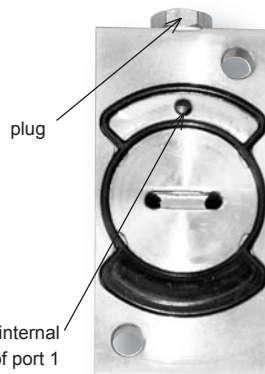


fig. b) Position of gasket in the solenoid mounting part with external pilot supply. The plug has been removed.



Pilot Plugging Arrangements

Series L8

When converting from internal to external pilot supply, please proceed as follows:

- 1.) Remove plug in solenoid mounting plate.
- 2.) Loosen the two M5 bolts, unmount solenoid mounting plate. Exchange the small O-ring and the small sealing disc as shown in fig. a) and fig. b).
- 3.) Re-mount and fasten solenoid mounting plate. (Torque approx. 4.5 Nm). Make sure that gaskets are inserted correctly.

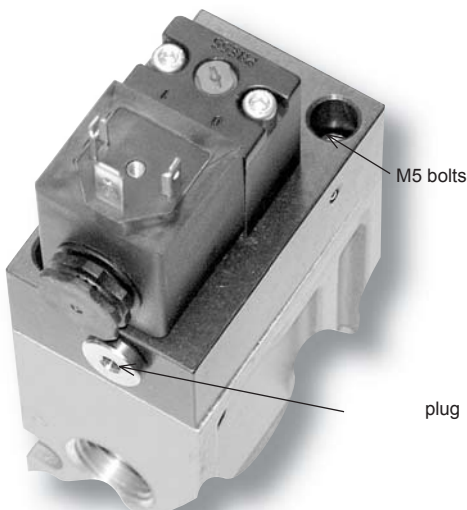


fig. a) Position of O-Ring and sealing disc in the solenoid mounting part with internal pilot supply.

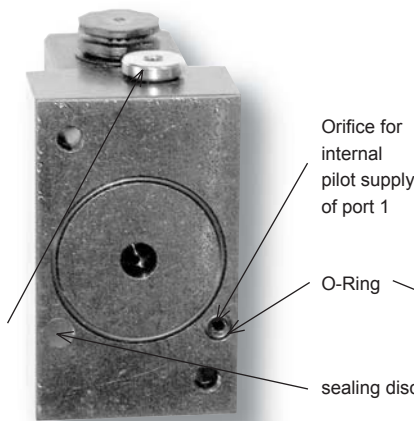


fig. b) Position of O-Ring and sealing disc in the solenoid mounting part with external pilot supply. The plug has been removed.

